

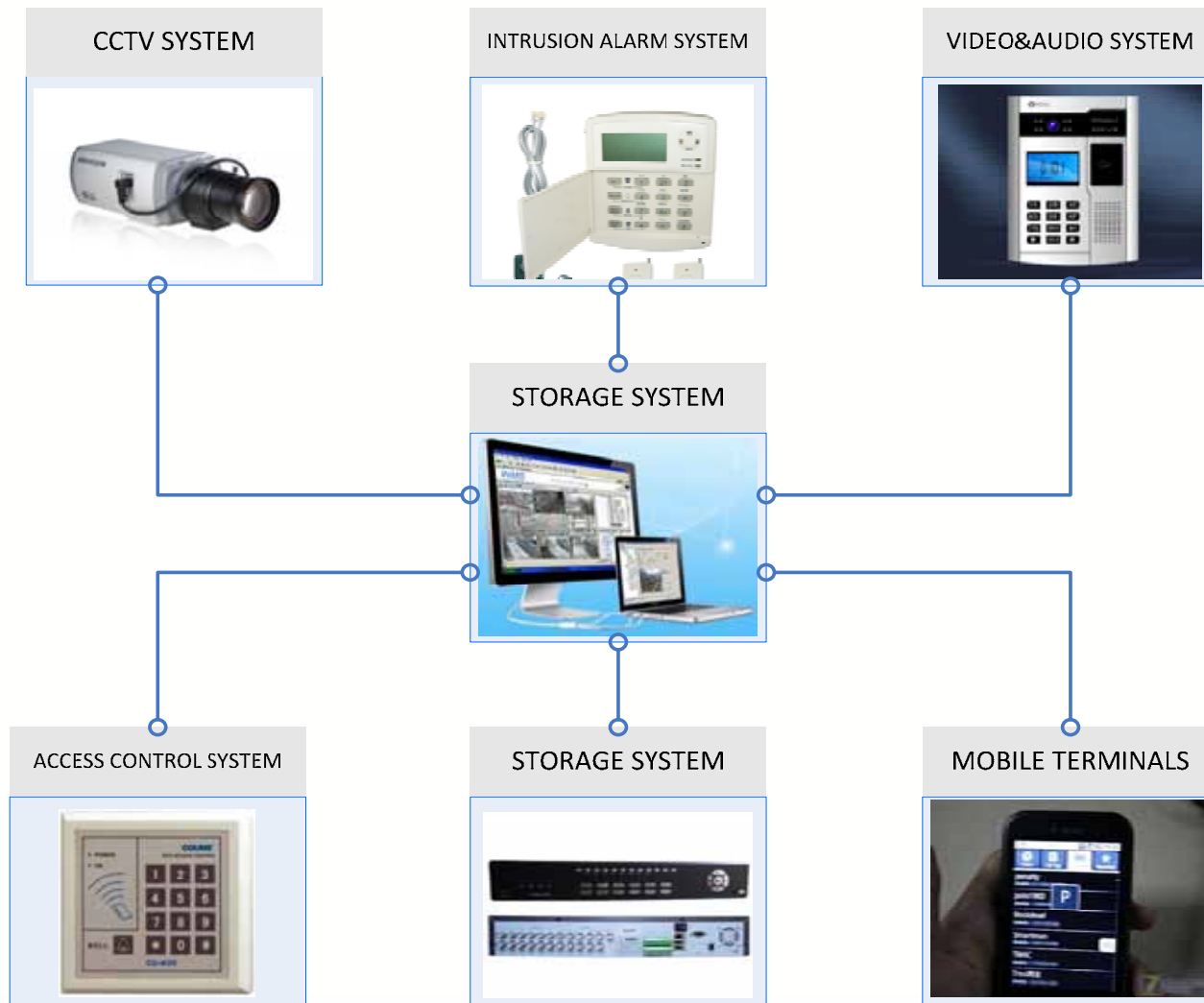


CYG Wayon Circuit protection Co., Ltd.

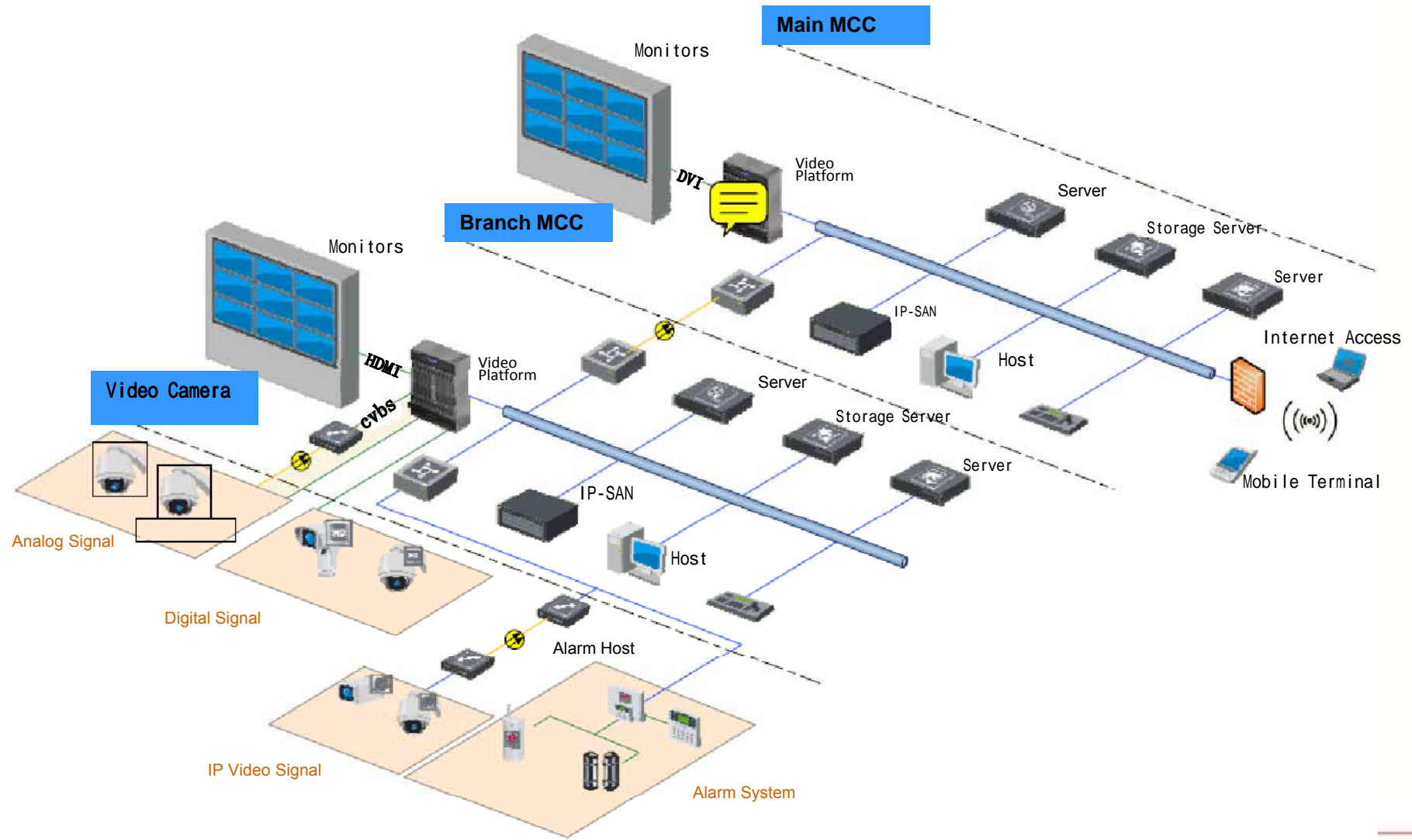
SECURITY SYSTEM PROTECTION SOLUTIONS

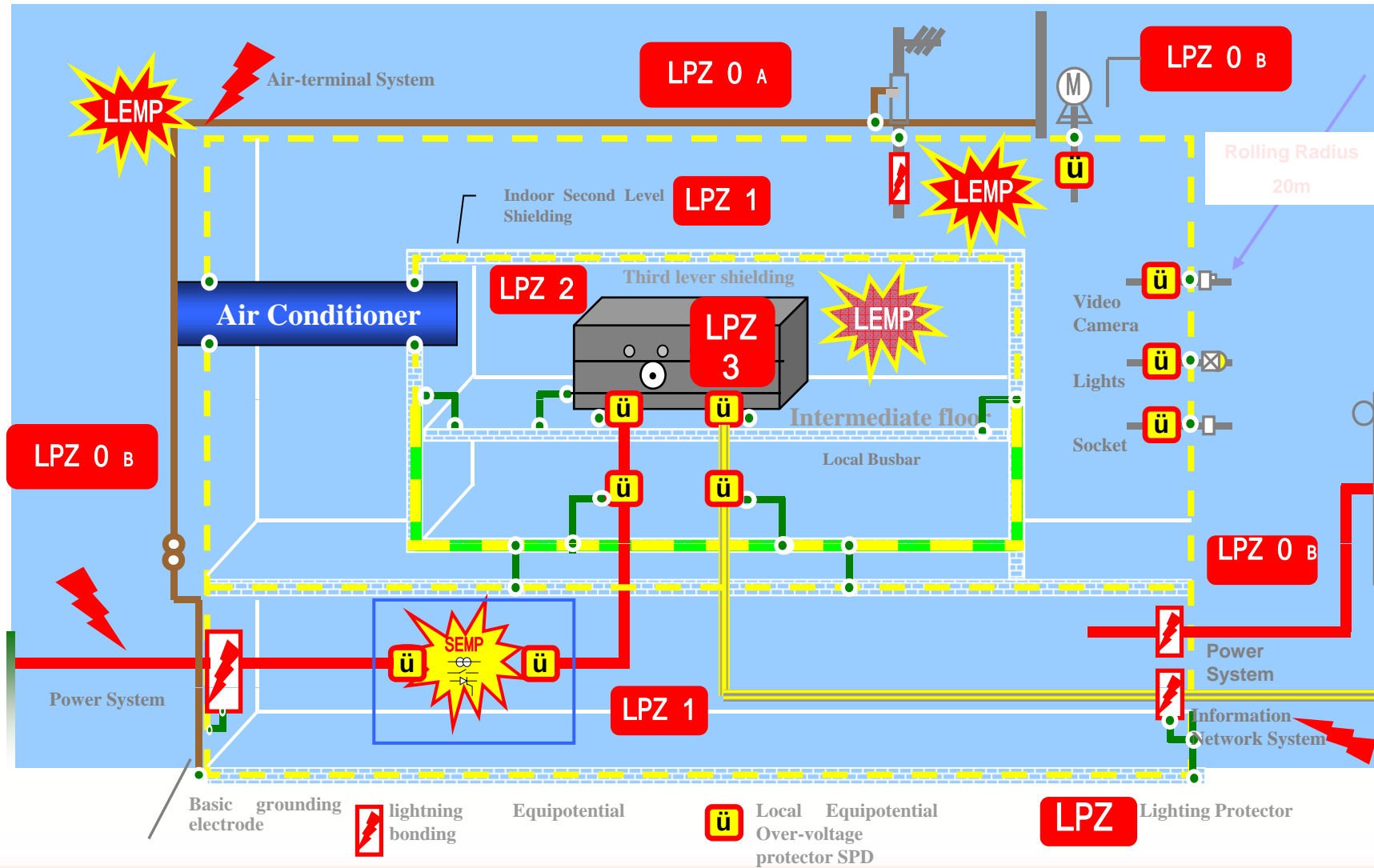
Version : SI-V2.1

SECURITY SYSTEM CONSTITUTION



TYPICAL SYSTEM CONSTRUCTION





1 VIDEO & AUDIO LINES PROTECTION

- VIDEO & AUDIO TRANSMISSION

2 ETHERNET PROTECTION

- DATA COMMUNICATION

3 RS485 LINES PROTECTION

- CONTROL LINES

4 POWER LINES PROTECTION

- AC&DC

➤ Video&Audio Lines

- + Analog Video Output
- + Digital Video Output
- + Analog Audio Input and Output

High-speed Dome



➤ Communication Lines

- + 100 Mbit/1000 Mbit Ethernet
- + RS485 /RS232
- + USB2.0/ SD Card
- + On-off Input and Output

Dome Camera



➤ Power Supply

- + Ethernet POE
- + DC 12V Power Supply
- + AC 24V Power Supply

Gun Camera



Infrared Camera



➤ **Video&Audio Lines**

- + Analog Video Input
- + Digital Video Input
- + Analog Audio Input and Output
- + Analog Video Output
- + VGA Output
- + HDMI Output



DVR/NVR



Mix DVR

➤ **Communication Lines**

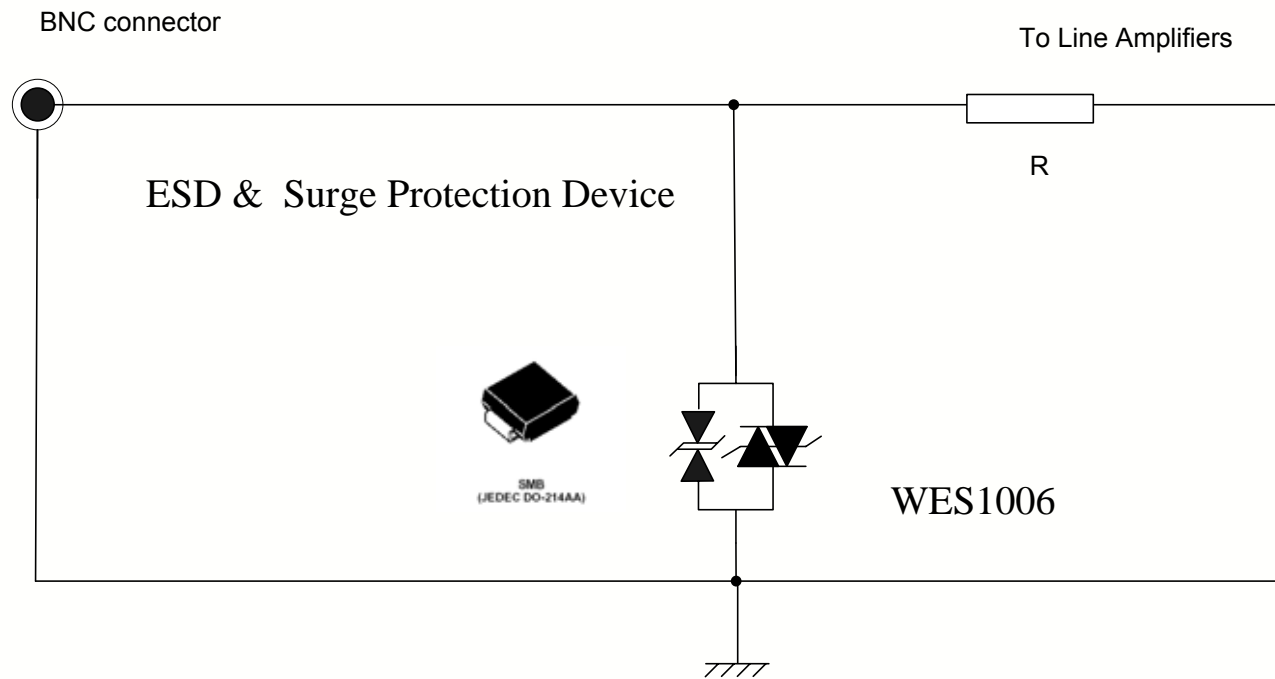
- + 100 Mbit/1000 Mbit Ethernet
- + RS485 /RS232
- + On-off Output and Input
- + USB2.0
- + SD card



Video Server

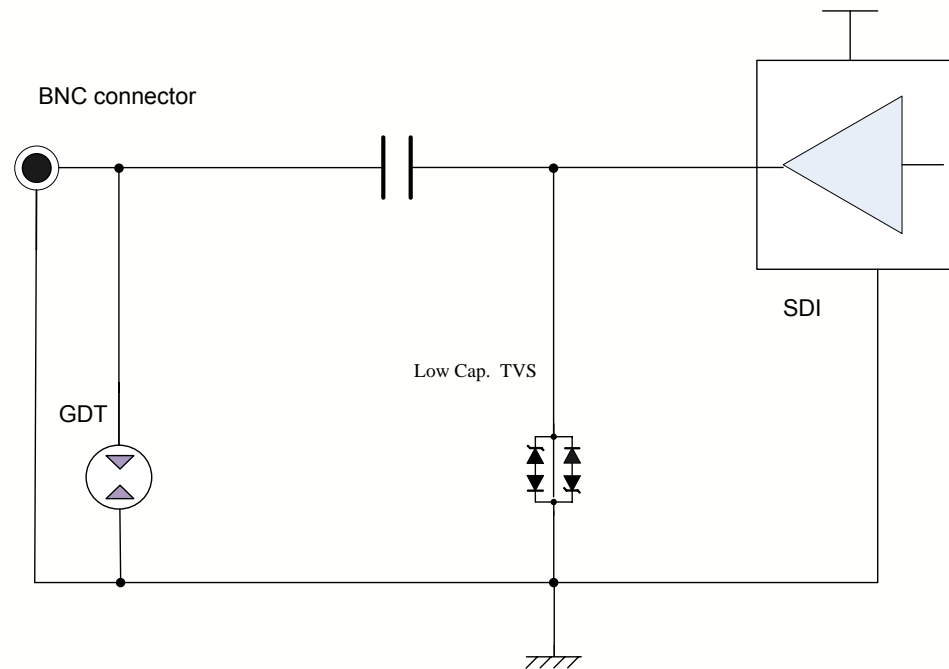


**Optical Transmitter
and Receiver**



Outdoor Superior Level LPZ0B Area

Line Parasitic Capacitance 1pF , can meet HD-SDI 1.485GHz lighting surge protection.

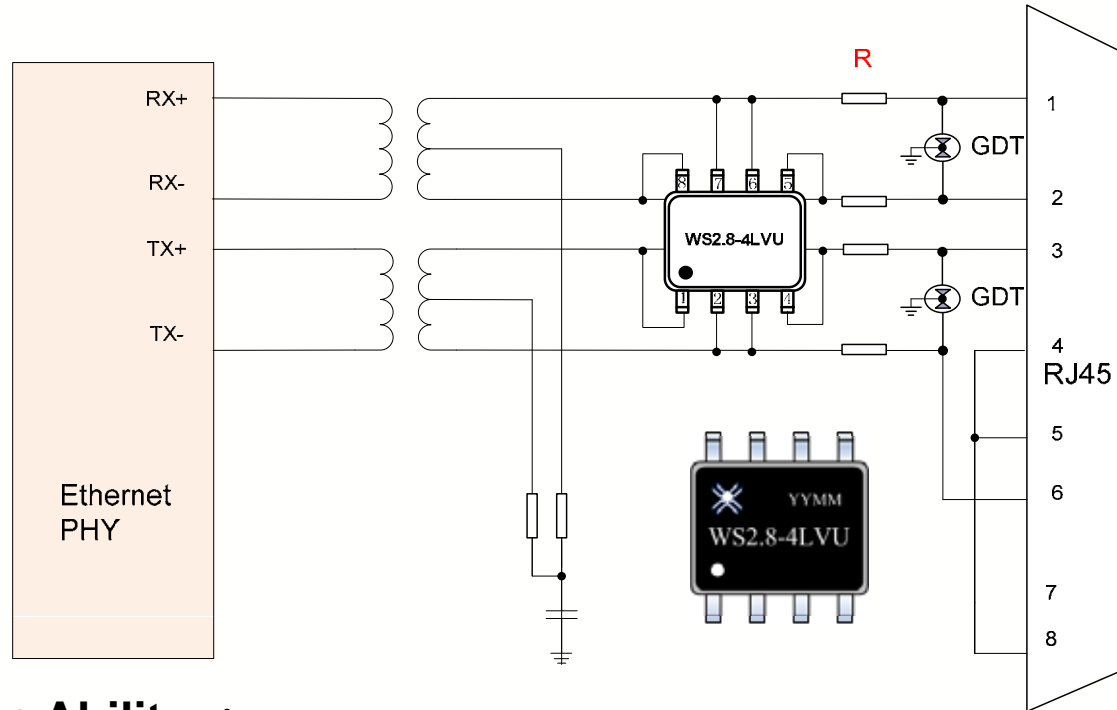


Protection Ability :

Common mode : ITU K21 (10/700us 40Ω) 6KV/150A

(Max. Lighting Discharge Current) IEC61000-4-5 (1.2/50us -8/20us Combination wave 2Ω) 6KV/3KA

100M Ethernet Protection

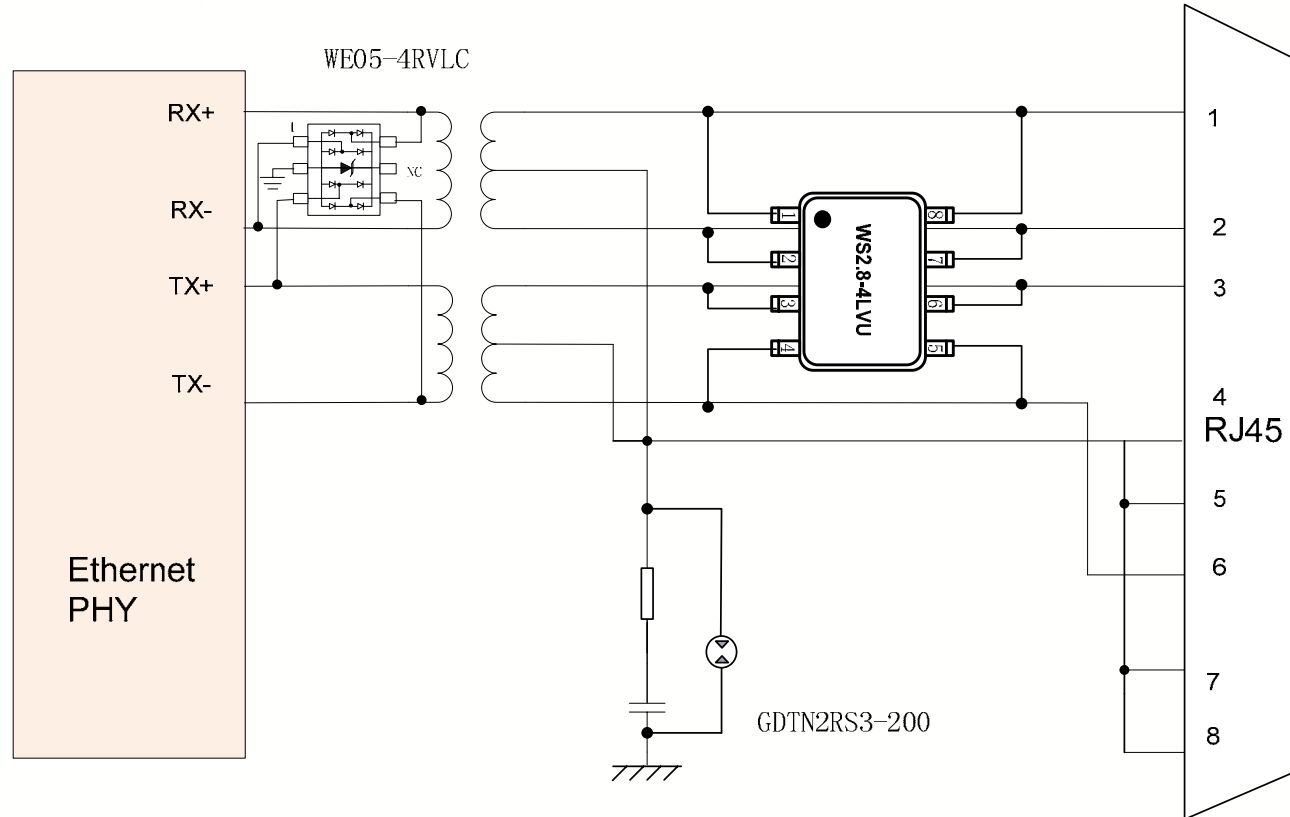


Protection Ability :

Common mode : ITU K21 (10/700us 40Ω) 6KV/150A (**Max. Lighting Discharge Current**) IEC61000-4-5 (1.2/50us -8/20us Combination wave 2Ω) 6KV/3KA

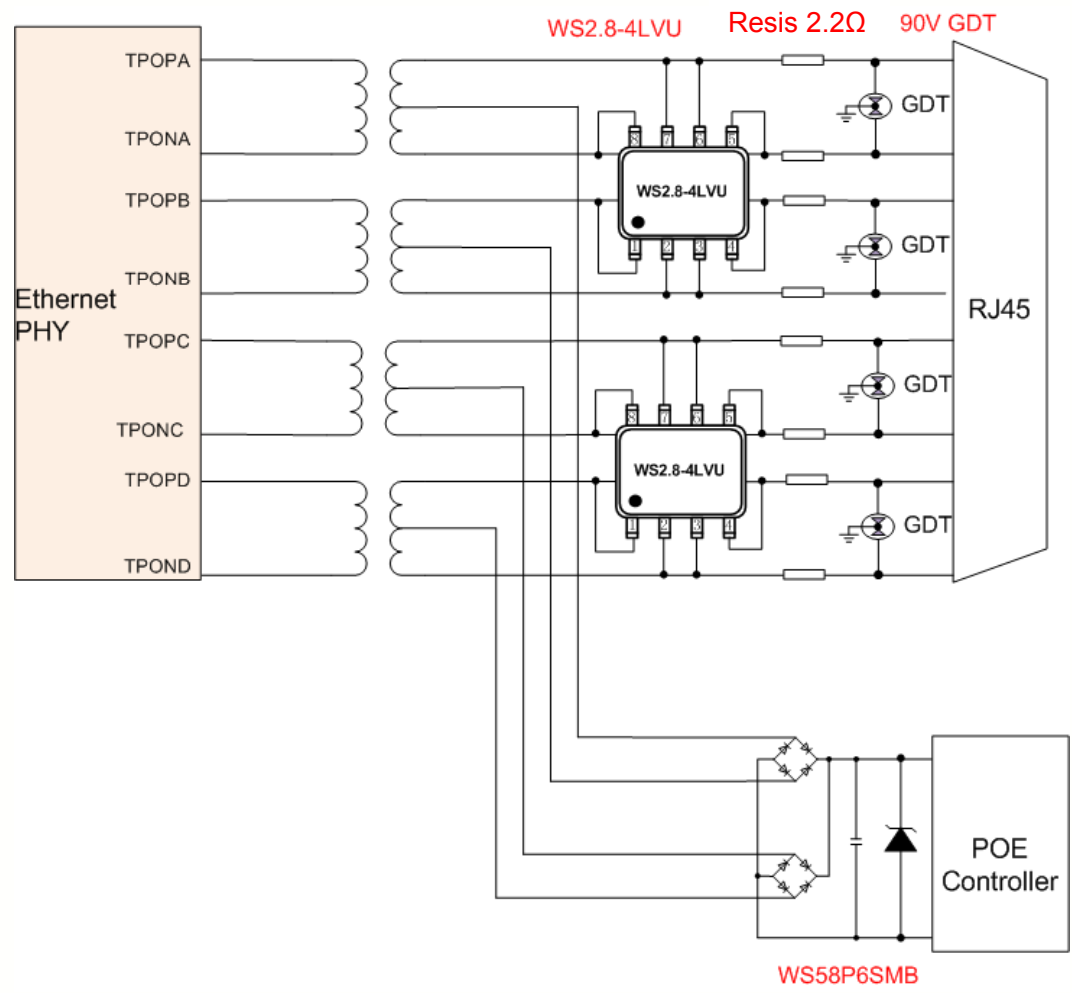
Differential Mode : ITU K21 (10/700us 40Ω) 6KV/150A (**Max. Lighting Discharge Current**) IEC61000-4-5 (1.2/50us -8/20us Combination wave 2Ω) 6KV/3KA

INDOOR ETHERNET INTERFACE PROTECTION

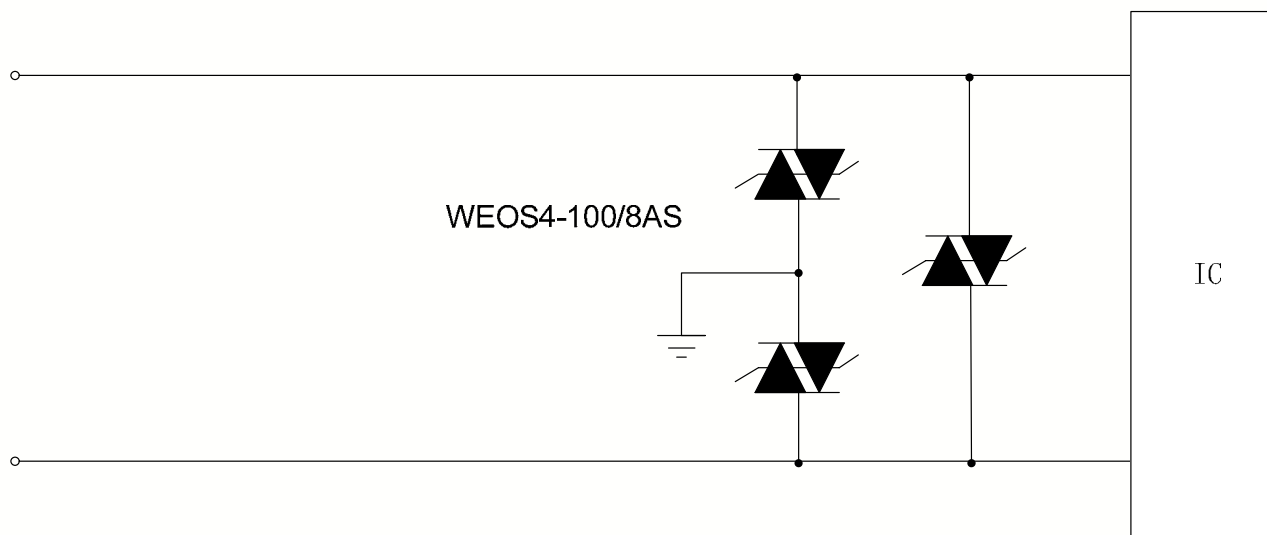


GDT	Connector Low Cap. TVS	Chip Terminal Low Cap. TVS
SMD 1812 GDTNS3-200	SMD 4-line TVS WS2.8-4LVU (SOP8)	SMD 4-line TVS WE05-4RVLC (SOT23-6L)

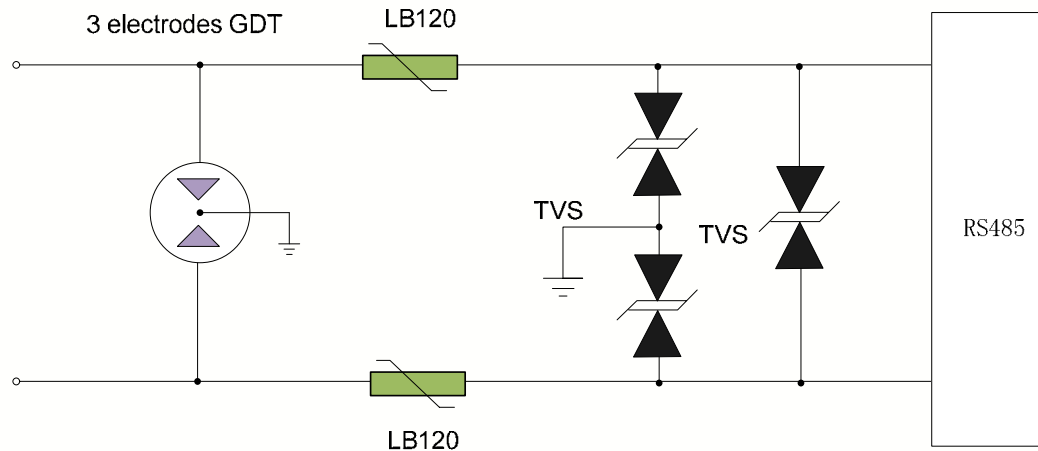
ETHERNET POE INTERFACE PROTECTION



ON-OFF OUTPUT&INPUT PROTECTION



RS485 INTERFACE PROTECTION

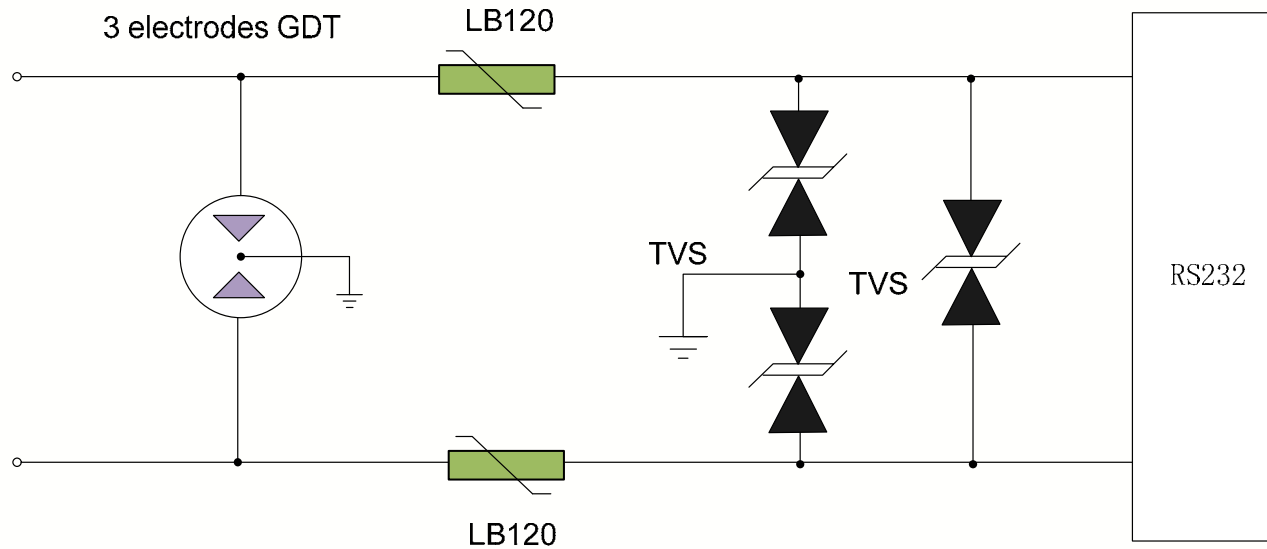


Common Mode : **IEC61000-4-5**(8/20us 2Ω) 10KV/5KA

Differential Mode : **IEC61000-4-5**((8/20us 2Ω) 10KV/5KA



Item	GDT	PTC	Power TVS
1	GDTN3RD5-90 (SMD , 3electrodes)	LB120	WS6.0P6SMB-B
2	GDTR3RD6-90 (R-line , 3electrodes)	LB120	WS6.0P6SMB-B



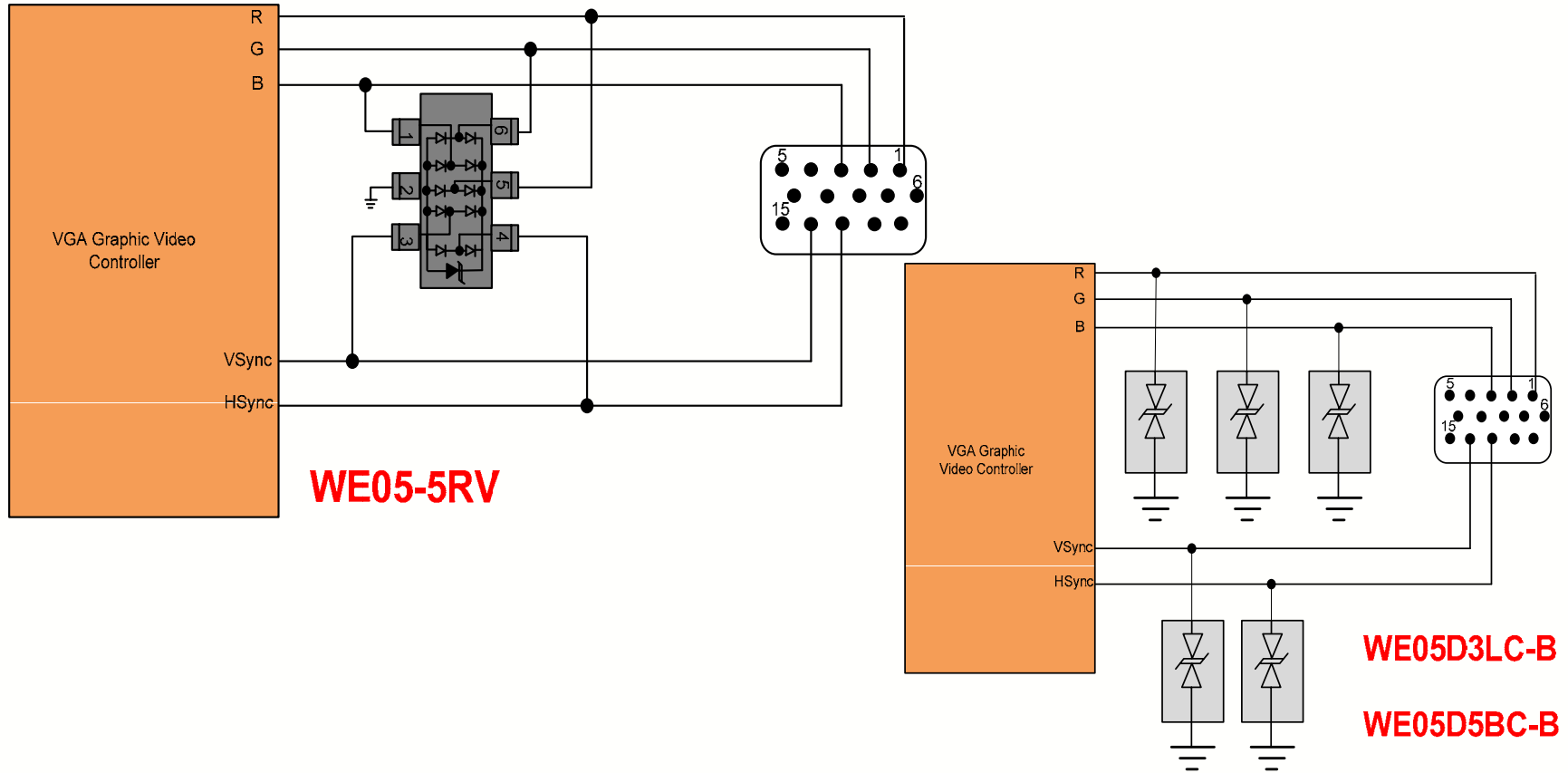
Common Mode : **IEC61000-4-5**(8/20us 2Ω) 10KV/5KA

Differential Mode : **IEC61000-4-5**((8/20us 2Ω) 10KV/5KA

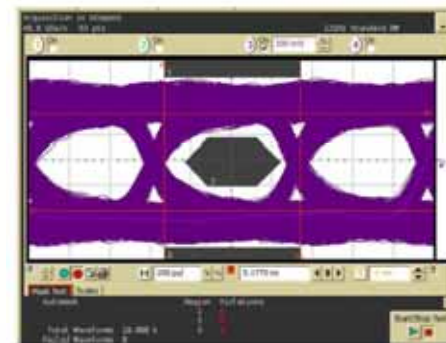
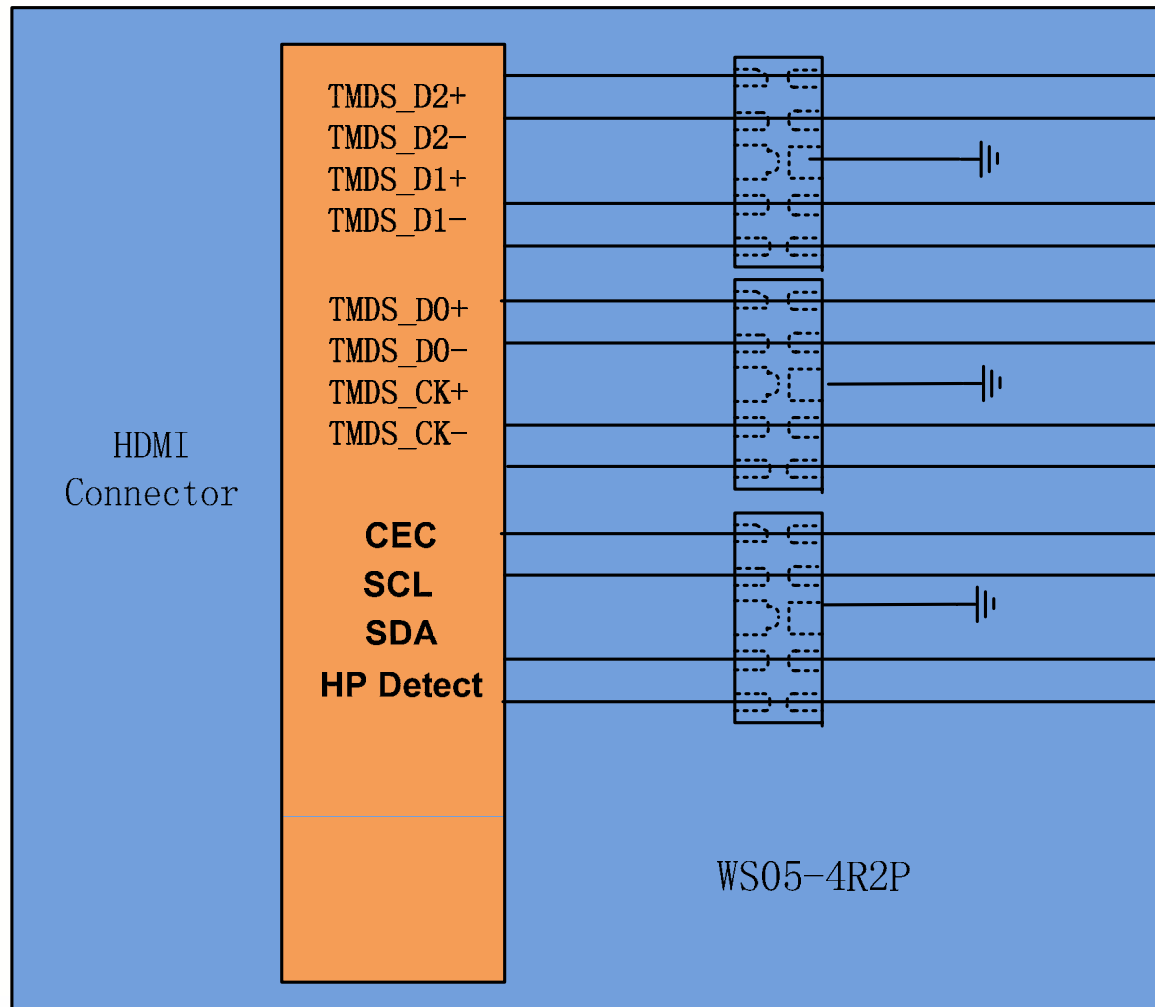


Item	GDT	PTC	Power TVS
1	GDTN3RS5-90 (SMD , 3electrodes)	LB120	WS18P6SMB-B
2	GDTR3RD6-90 (R-line , 3electrodes)	LB120	WS18P6SMB-B

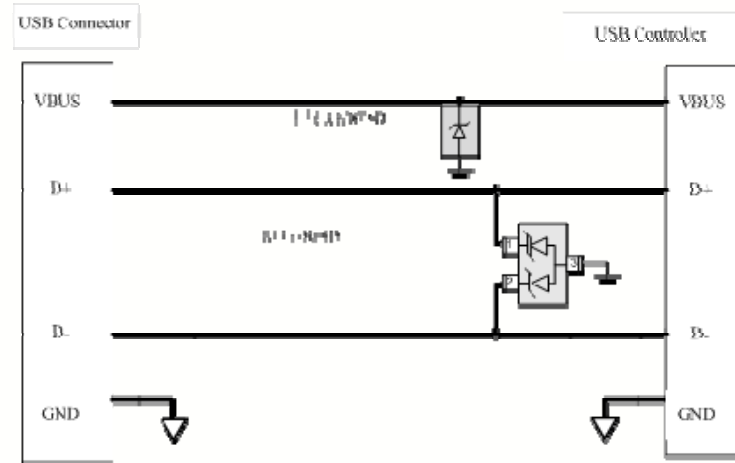
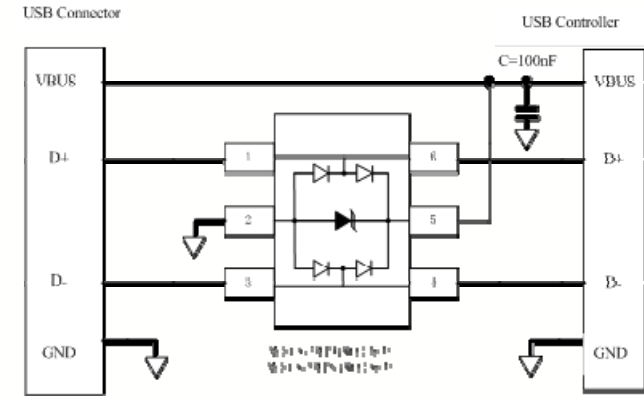
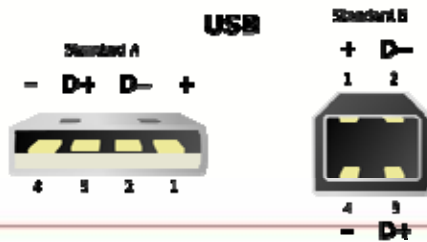
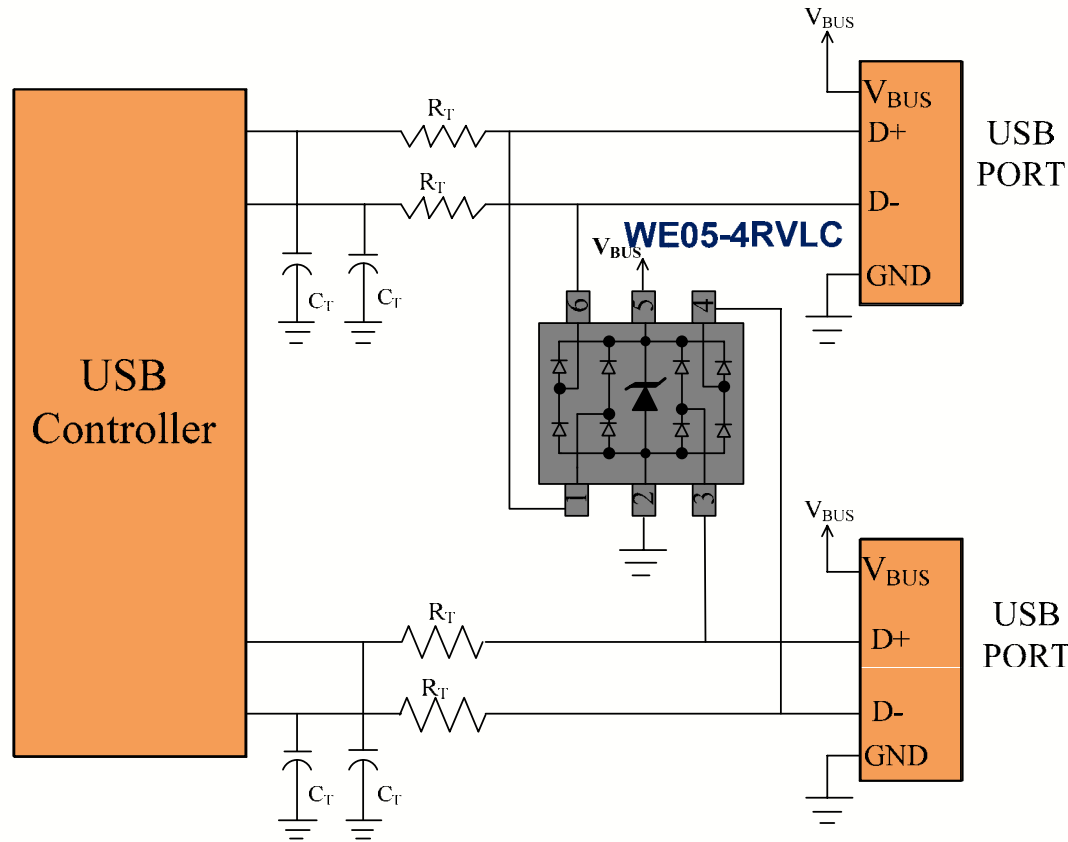
VGA INTERFACE PROTECTION



HDMI INTERFACE PROTECTION



USB2.0 INTERFACE PROTECTION



- HIKVISION
- H3C
- Panasonic
- Dahua
- DALI
- GOSUNCN
- NetPosa
-



THANK YOU!

Information is CYG Wayon Confidential & Proprietary. Do Not Reproduce or Distribute.