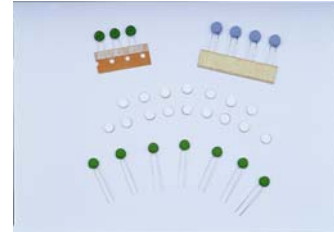


**SCA series      R-line Devices**

**Features**

- ✧ Coated thermistor disk.
- ✧ High voltage.
- ✧ Great current.
- ✧ Lead-free.
- ✧ TUV approval



(SCA-200-261CMF, SCA-350-261CMF, SCA-500-261CMF, SCA-350-261FMF)

**Product Dimensions(mm)**

Part number	Dmax mm	Tmax mm	F mm	d mm	Fig
SCA-100-221AMF	9.5	5.0	5.0	0.6	1
SCA-200-251AMF	9.5	5.0	5.0	0.6	1
SCA-300-301AMF	9.5	5.0	5.0	0.6	1
SCA-350-301AMF	9.5	5.0	5.0	0.6	1
SCA-400-381AMF	9.5	5.0	5.0	0.6	1
SCA-500-381AMF	9.5	5.0	5.0	0.6	1
SCA-550-651AMF	10.0	5.0	5.0	0.6	1
SCA-250-261CMF	9.0	5.0	4.0	0.5	2
SCA-350-261CMF	9.0	5.0	4.0	0.5	2
SCA-500-261CMF	9.0	5.0	4.0	0.5	2
SCA-400-381EMF	9.0	4.5	5.0		3
SCA-500-381EMF	9.0	4.5	5.0		3

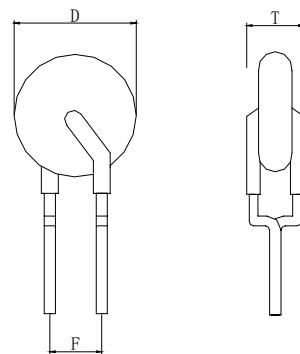


Fig. 1

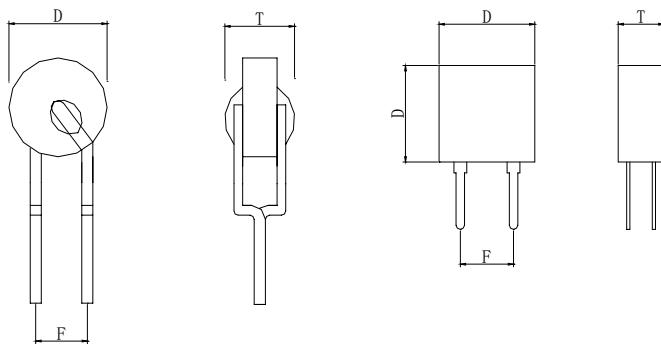


Fig. 2

Fig. 3

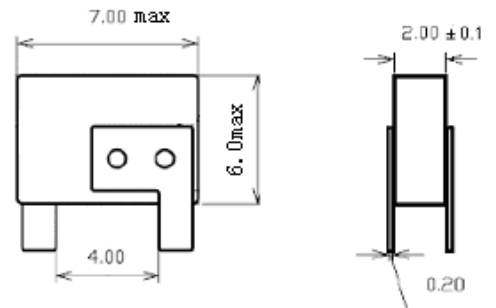


Fig. 4

## Electrical Characteristics

Part number	R (25 °C)	Vmax (VAC)	I <sub>H</sub> (mA)	Responding Time (s) 1A→0.5A	Over current	Surge current	Power induction	Failure mode	Agency Recognition	Fig
SCA-100-221AMF	10	220	150	5.0	I	I	/	I		1
SCA-200-251AMF	20	250	110	3.0	II	I	/	II		1
SCA-300-301AMF	30	300	80	1.2	II	II	I	II		1
SCA-350-301AMF	35	300	80	1.2	II	II	I	II		1
SCA-400-381AMF	40	380	70	0.65	II	II	I	II		1
SCA-500-381AMF	50	380	60	0.5	II	II	I	II		1
SCA-550-651AMF	55	650	60	0.65	II	III	II	III		1
SCA-250-261CMF	25	265	100	3.0	II	II	I	II	TUV	2
SCA-350-261CMF	35	265	80	3.0	II	II	I	II	TUV	2
SCA-500-261CMF	50	265	60	3.0	II	II	I	II	TUV	2
SCA-400-381EMF	40	380	70	0.65	II	II	I	II		3
SCA-500-381EMF	50	380	60	0.5	II	II	II	II		3
SCA-350-261FMF	35	380	60	3.0	II	II	I	II	TUV	4

● **I<sub>H</sub>** = Hold current: max current at which the device will not trip at 25°C still air.

● **I<sub>T</sub>** = Trip current: min current at which the device will always trip at 25°C still air.

● **V<sub>max</sub>** = Max voltage device can withstand without damage.

● **T<sub>f</sub>** = Reference Curie temperature.

● **Over current** ( $\Delta R\% \leq 20\%$ ) : I: 220V, 2A, 30min, once II: 250V, 3A, 60s on, 600s off, 10 times

● **Surge current** ( $\Delta R\% \leq 30\%$ ) : I: 10/310  $\mu$ s, 1.5KV, 3min off, 10 times II: 10/750  $\mu$ s, 1.5KV, 1min off, 30 times

III: 10/1000  $\mu$ s, 1.5KV, 1min off, 30 times

● **Power induction** ( $\Delta R\% \leq 20\%$ ) : I: 650V, Rs 600  $\Omega$ , 1s on, 60s off, 10 times

● **Failure mode** (no arcing or burning) : I: 220V, Rs 10  $\Omega$ , 30min II: 380V, Rs 10  $\Omega$ , 30min III: 650V, Rs 10  $\Omega$ , 30min

## Part Numbering System

SCA - 550 - 651 A M

1 2 3 4 5

1. SCA: SCA series

2. 550: 55ohm

3. 651: Max. voltage 650 V

4. A: Coated, B: Disk, C: Uncoated, E: Encased, F: SMD

5. L:  $\pm 15\%$ , M:  $\pm 20\%$ , N:  $\pm 25\%$

## Package Information

Bulk: 200pcs per bag.

Tape & Reel: 1000pcs per reel.