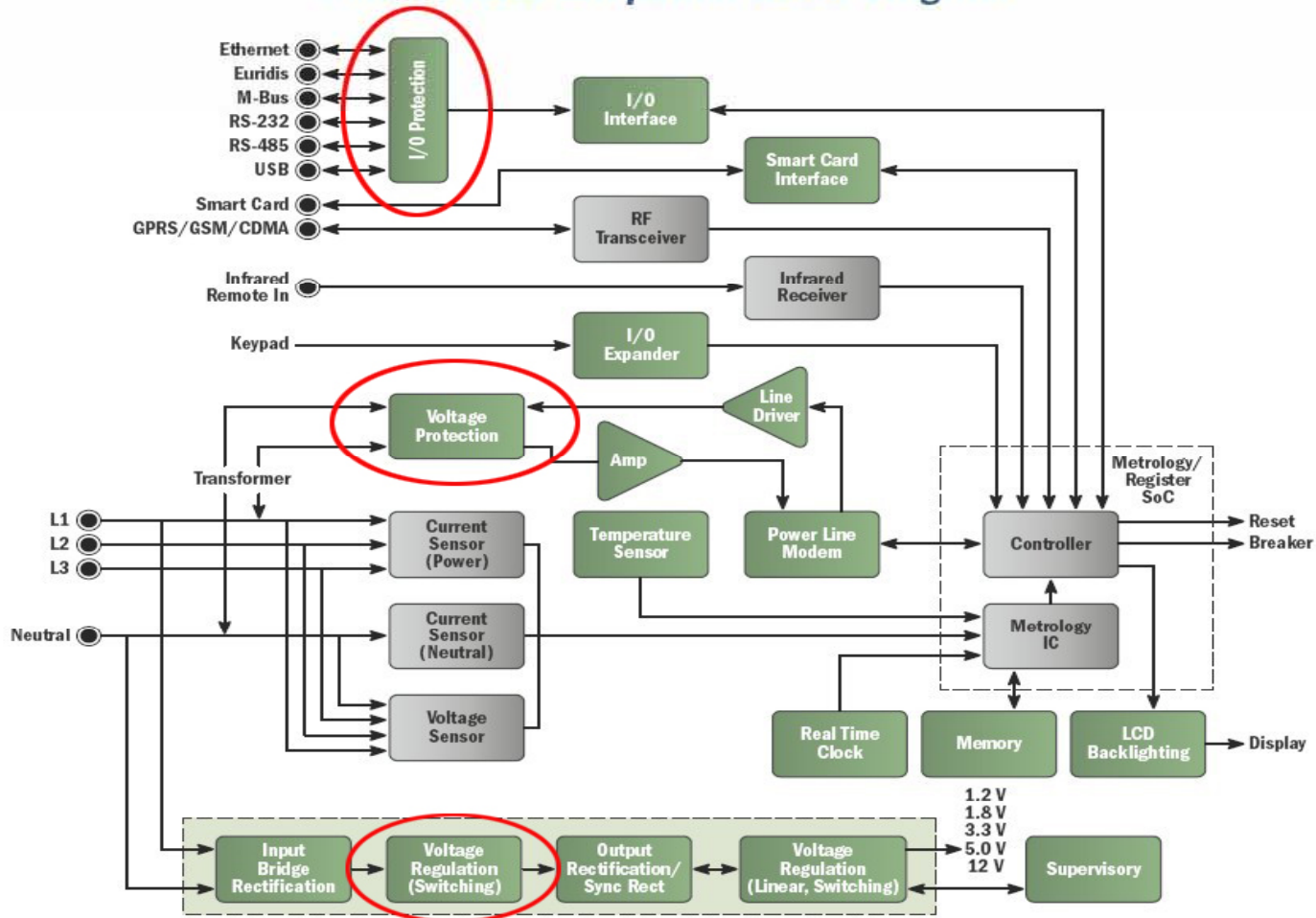




**CYG Wayon Circuit protection Co., Ltd.**

## **CYG WAYON Protection Solution for Metering Application**

Smart Meter Simplified Block Diagram



Note:

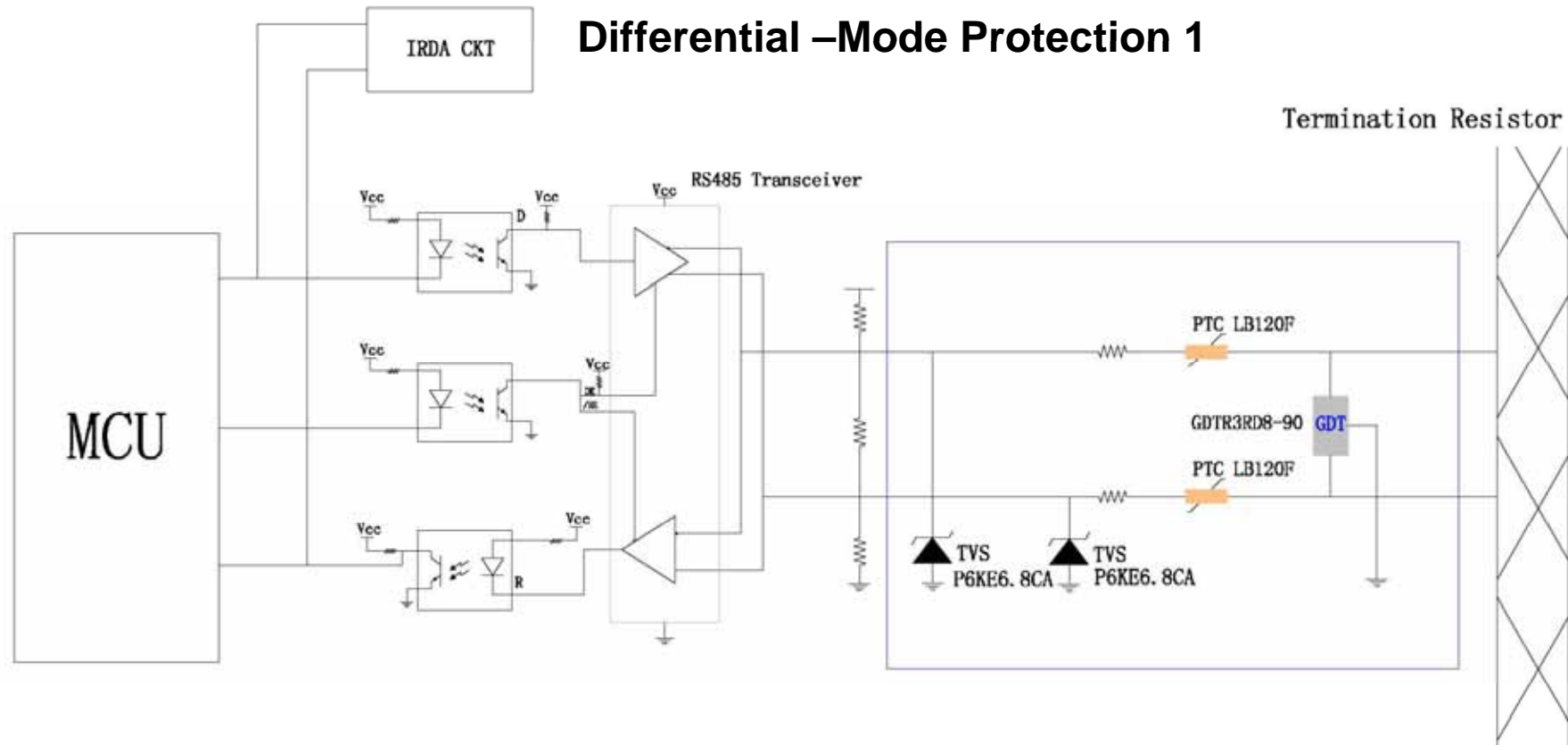
Red circled area is the circuit protection device.

Information is CYG Wayon Confidential & Proprietary. Do Not Reproduce or Distribute.

**In meter application, most of the automatic metering technology uses remote metering. The RS-485 interface is always exposed to outdoors, over-voltage could happen because of lightning or some other reasons. Thus the lightning protection to RS-485 interface should be considered.**

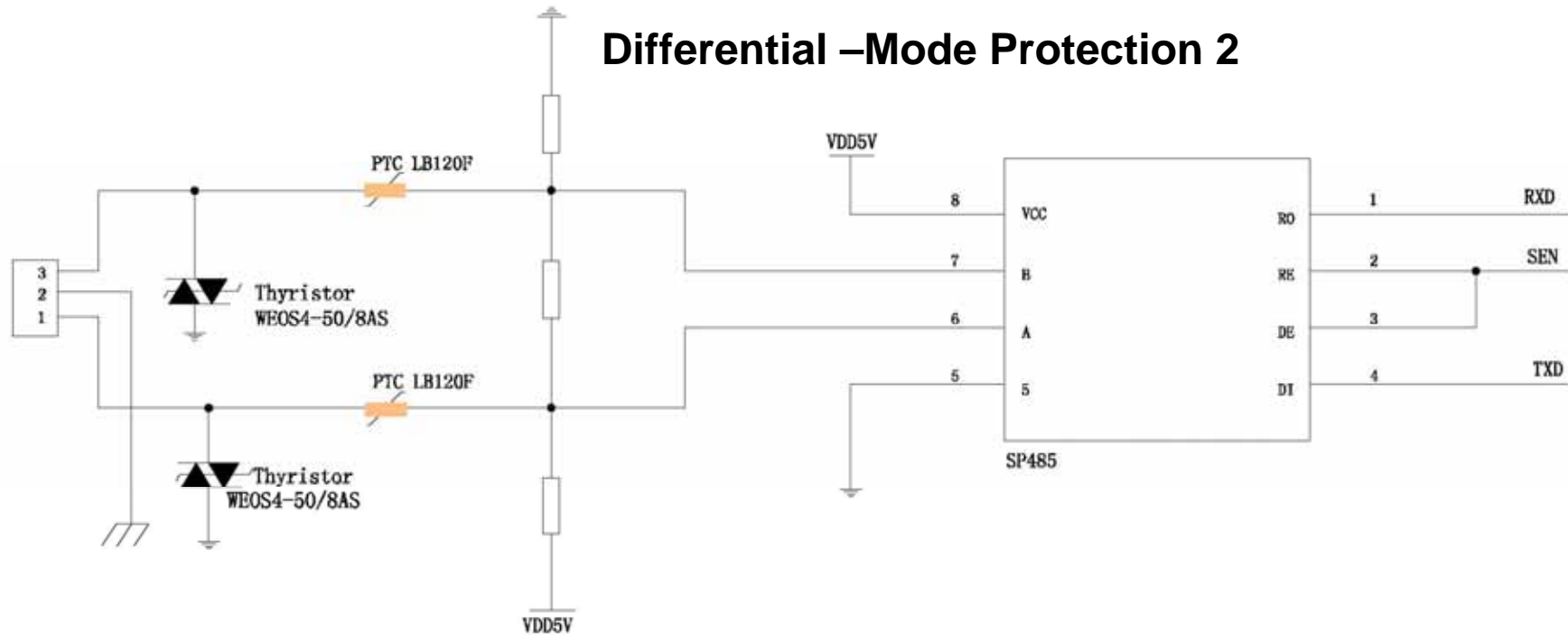


Information is CYG Wayon Confidential & Proprietary. Do Not Reproduce or Distribute.



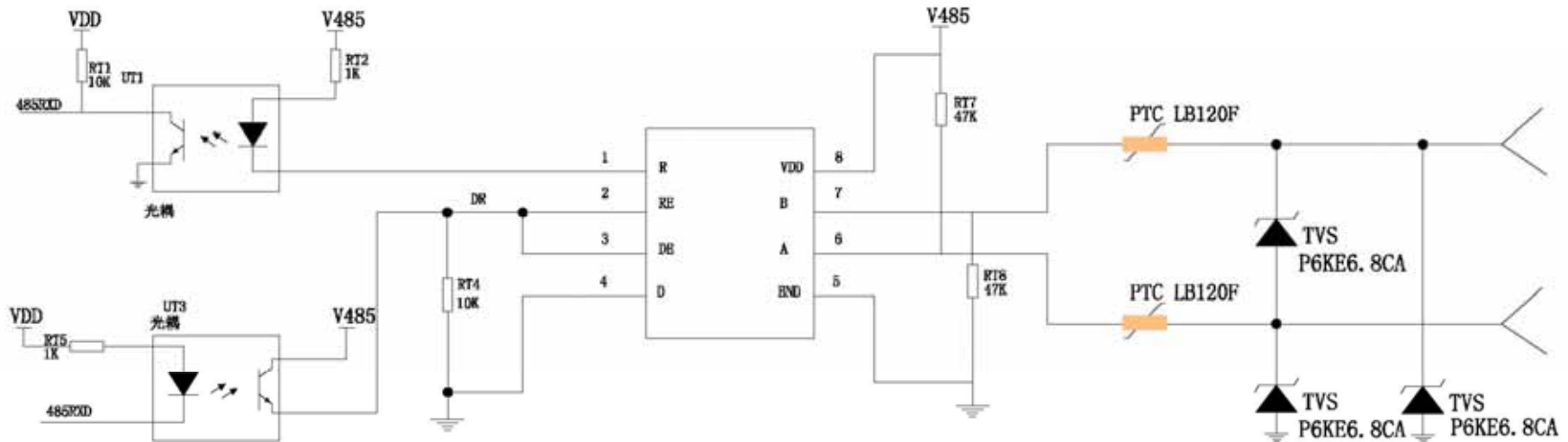
Information is CYG Wayon Confidential & Proprietary. Do Not Reproduce or Distribute.

## Differential –Mode Protection 2



Information is CYG Wayon Confidential & Proprietary. Do Not Reproduce or Distribute.

## Common-Mode Protection



Information is CYG Wayon Confidential & Proprietary. Do Not Reproduce or Distribute.

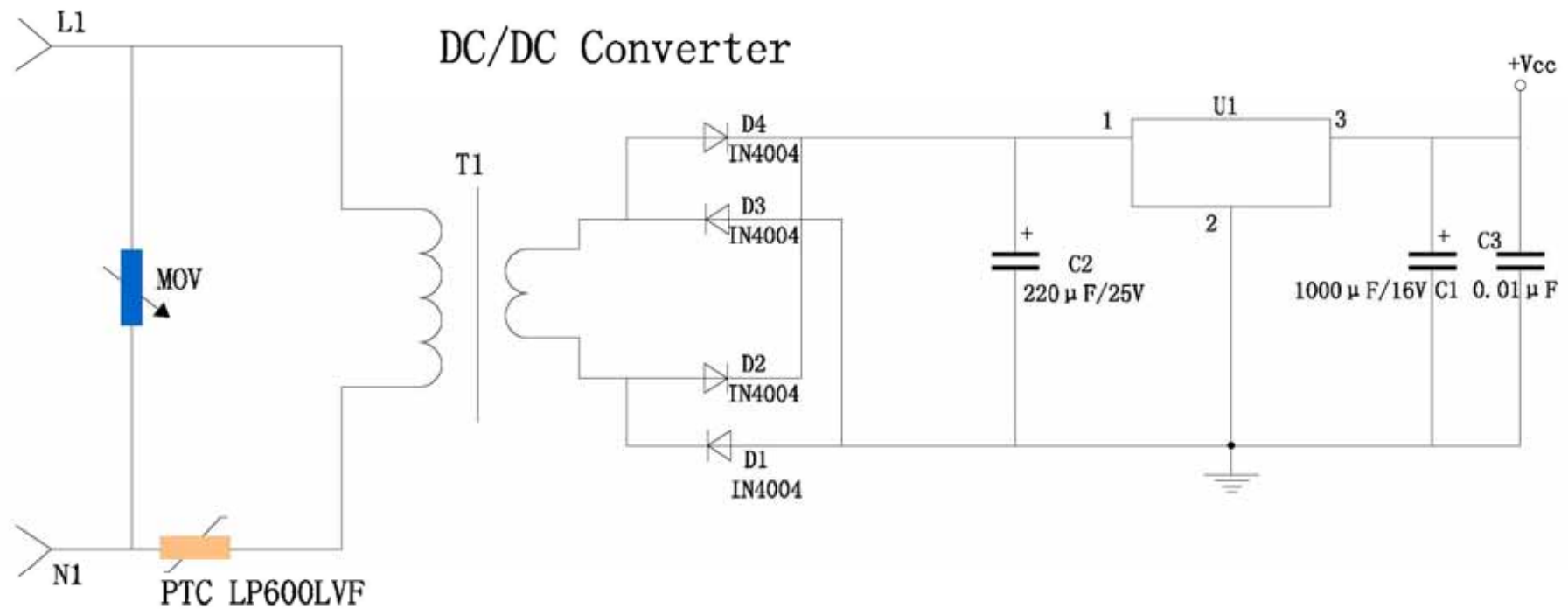
**Most power suppliers are faced with misconnection of power system zero line or other man-made errors. It is necessary to have the meter power to handle periods of high-voltage without any damages. So PTC components can be used to prevent linear transformer from overheating or burning.**



Information is CYG Wayon Confidential & Proprietary. Do Not Reproduce or Distribute.

---

# Power DC/DC Converter Protection Solution



Information is CYG Wayon Confidential & Proprietary. Do Not Reproduce or Distribute.

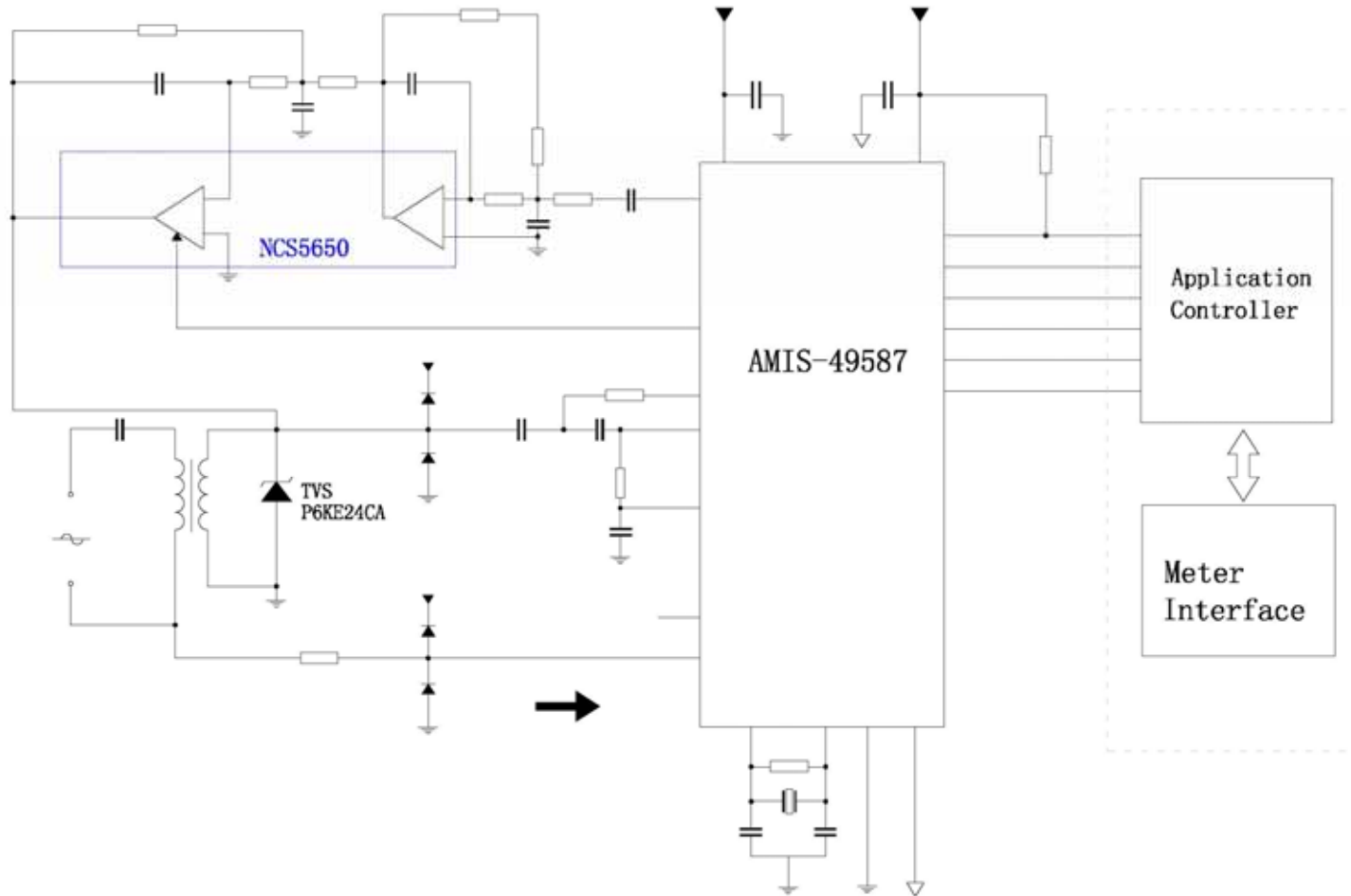


**PLC automatic metering technology has been widely used in many countries all over the world. In general, power voltage of PLC line driver is below 12V. In order to prevent the damage from the unexpected surging voltage, TVS devices should be used between line driver and coupling transformer.**



Information is CYG Wayon Confidential & Proprietary. Do Not Reproduce or Distribute.

## WAYON PLC Line Driver Protection Solution



Information is CYG Wayon Confidential & Proprietary. Do Not Reproduce or Distribute.



*Information is CYG Wayon Confidential & Proprietary. Do Not Reproduce or Distribute.*